

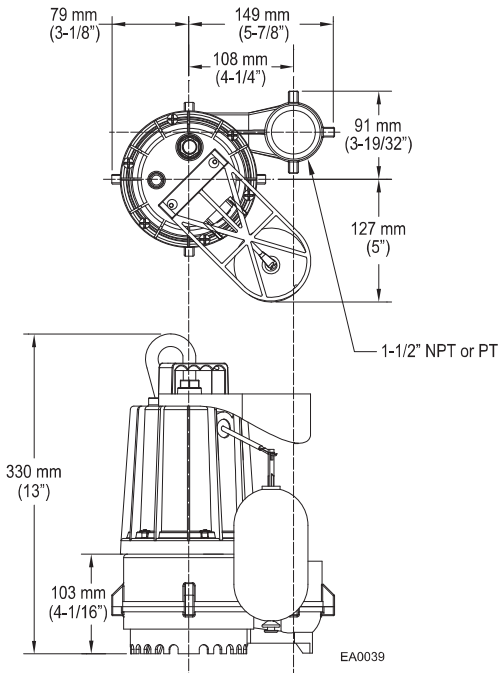


FEATURES:

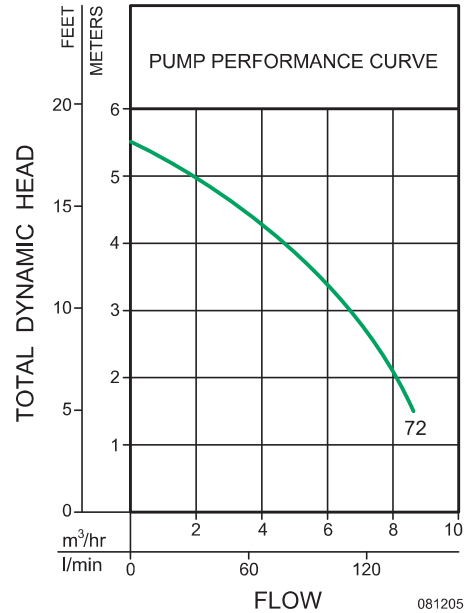
- Non-corrosive engineered plastic design
- Hermetically sealed for complete submersion
- Recessed, non-clogging vortex impeller design provides great solids-passing capability
- Solid, buoyant polypropylene float

APPLICATIONS:

- Sump/effluent handling
- Dewatering
- Water transfer



* Consult factory for certification availability.



PUMP	Material	
	Pump Housing	Engineered plastic
	Impeller	Engineered plastic
	Shaft Seal	Carbon and ceramic
	Seal and gasket	NBR / None
	Power Cord	SJTW (CE model H05RN-F)
MOTOR	Design Features	
	Impeller	Non-clogging vortex
	Bearings	Ball bearing upper/lower
	Solid Passing	9 mm (3/8") spherical solids
	Power Cord Length	3 m (9') standard
	Motor Housing	Engineered thermoplastic
	Type, Poles	PSC, 2 Poles
	RPM	2850
	Rotor	SUS420J2
	Insulation Class	B
Motor Protection	Auto reset thermal overload	
Protection Class	IPX8	
Cooling	Oil free	
Maximum Fluid Temperature		40 °C (104 °F)
Discharge Size		1-1/2" NPT or PT
Max. Submersion Depth		6 m (20')
Hardware		Stainless steel
Vertical switch on/off point		187 mm (7-3/8") / 92 mm (3-5/8")

Model	Mode	Volt (V)	Ph Ø	Amp (A)	Motor		Weight (Kg)
					KW (p1)	HP	
V72	Non	220	1	2.0	0.38	3/10	4.6
U72	Auto-Vertical	220	1	2.0	0.38	3/10	4.6